

Part Number:

PU060-03180-TP (All except SE/XSE)

PU060-03181-TP (SE/SXE Only)

Kit Contents

Item #	Quantity Req'd.	Description
1	1	Front Passenger Side Mudguard
2	1	Front Driver Side Mudguard
3	1	Rear Passenger Side Mudguard
4	1	Rear Driver Side Mudguard
5	1	Hardware Kit (Front)
6	1	Hardware Kit (Rear)

Hardware Bag Contents (Front, K2276)

Item #	Quantity Req'd.	Description
1	2	M5 x 20mm Screw (Thin)
2	4	M5 Spring Clip (Wide)
3	4	Push Pin (Small)
4	2	Push Pin (Large)
5	2	M5 x 20mm Screw (Thin)

Hardware Bag Contents (Rear, K2277)

Item #	Quantity Req'd.	Description
1	6	#14 x 19mm Screw (Thick)
2	2	M5 x 20mm Screw (Thin)
3	2	Grommet
4	2	M5 Spring Clip (Narrow)
5	2	Push Pin (Small)

Additional Items Required For Installation

Item #	Quantity Req'd.	Description
1		
2		
3		

Conflicts

None

General Applicability

PU060-03180-TP (All except SE/SXE)
PU060-03181-TP (SE/SXE Only)

Recommended Sequence of Application

Item #	Accessory
1	Lower Rocker Applique
2	Mudguards
3	

*Mandatory







Recommended Tools

Personal & Vehicle Protection	Notes
Safety Glasses	
Special Tools	Notes
None	
Installation Tools	Notes
Small Panel Removal Tool	
Screwdriver	Phillips #2 & #3
10mm Socket	Socket Driver or Ratchet
Drill / Angled Drill / 90-Degree Drill Adaptor	
Drill Bit	7 mm (9/32"), 8 mm (5/16")
Clean Cloth / Rag	
Special Chemicals	Notes
Cleaner	PPO: VDC Approved Cleaner DIO: Soap & Water Mixture

Vehicle Service Parts (may be required for reassembly)

Item #	Quantity Req'd.	Description
1		
2		
3		

Legend

	STOP: Damage to the vehicle may occur. Do not proceed until process has been complied with.
	OPERATOR SAFETY: Use caution to avoid risk of injury.
	CAUTION: A process that must be carefully observed in order to reduce the risk of damage to the accessory/vehicle and to ensure a quality installation.
	TOOLS & EQUIPMENT: Used in Figures calls out the specific tools and equipment recommended for this process.
	REVISION MARK: This mark highlights a change in installation with respect to previous issue.
	SAFETY TORQUE: This mark indicates that torque is related to safety.

Care must be taken when installing this accessory to ensure damage does not occur to the vehicle. The installation of this accessory should follow approved guidelines to ensure a quality installation.

These guidelines can be found in the "Accessory Installation Practices" document.

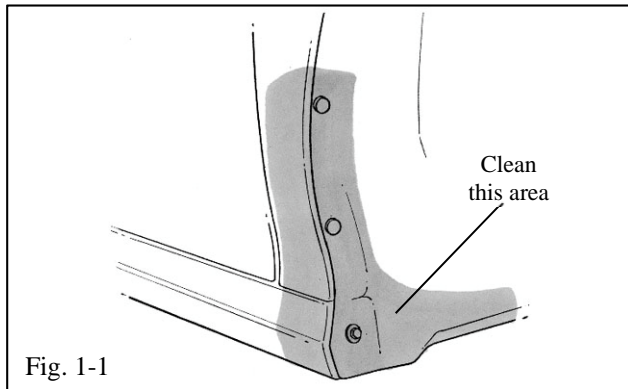
This document covers such items as:-

- Vehicle Protection (use of covers and blankets, cleaning chemicals, etc.).
- Safety (eye protection, rechecking torque procedure, etc.).
- Vehicle Disassembly/Reassembly (panel removal, part storage, etc.).
- Electrical Component Disassembly/Reassembly (battery disconnection, connector removal, etc.).

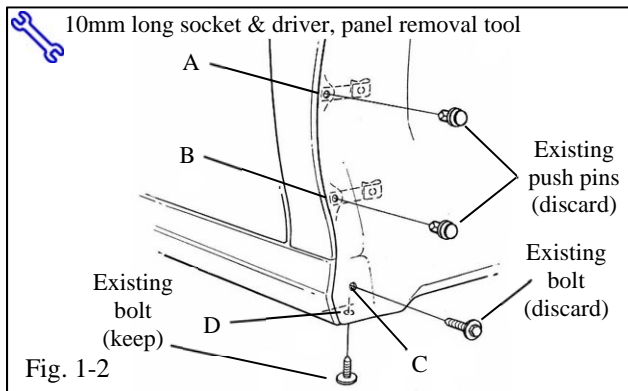
Please see your Toyota dealer for a copy of this document.

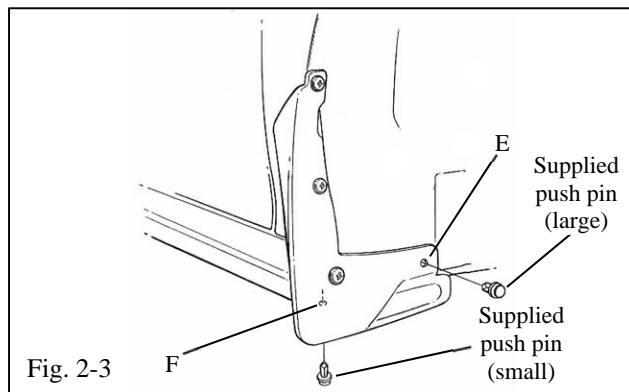
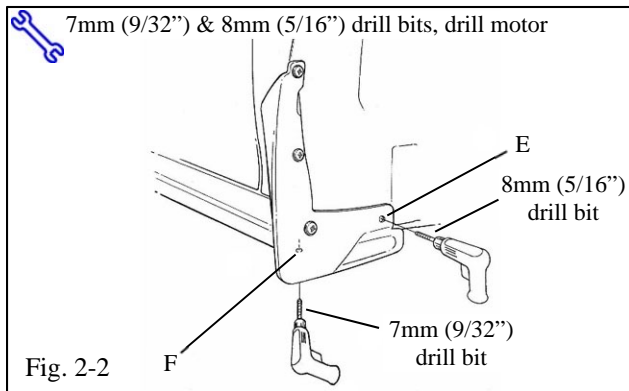
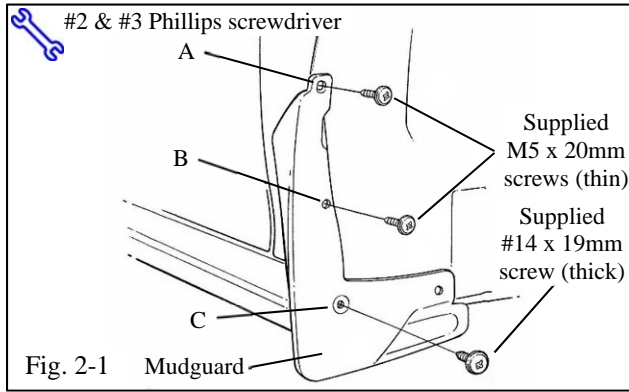
1. Prepare to Mount the Front Mudguards.

- (a) Clean and degrease the front body panel on the passenger side where the mudguard will be located with a clean cloth and VDC approved cleaner or soap/water mixture (Fig. 1-1).



- (b) Remove and discard the existing push pins at locations A and B (Fig. 1-2).
- (c) Remove and discard the existing bolt at location C (Fig. 1-2).
- (d) Remove the existing bolt at location D (Fig. 1-2). **DO NOT DISCARD IT** as it will be reused.
- (e) Pull the liner forward and install 2 supplied spring clips (wide) with the turned up edge on inside of panel; center the clips on the panel holes at locations A and B (Fig. 1-2).
- (f) Reposition the liner and reinstall the existing bolt removed in Step 2(c) in location D (Fig. 1-2).





2. Install the Front Mudguards.

- (a) Hold the part up and into the body panel.
- (b) Install a supplied #14 x 19mm (thick) screw in location C (Fig. 2-1). Do not over tighten the screw.
- (c) Continue to hold the part up and into the body panel and install supplied M5 x 20mm (thin) screws in locations A and B (Fig. 2-1).

NOTE: Do not over tighten the screws.

STOP (d) Hold the part up and into the body panel and drill an 8mm (5/16'') hole in location E (Fig. 2-2).

STOP (e) Hold the part up and into the body panel and drill a 7mm (9/32'') hole in location F (Fig. 2-2).

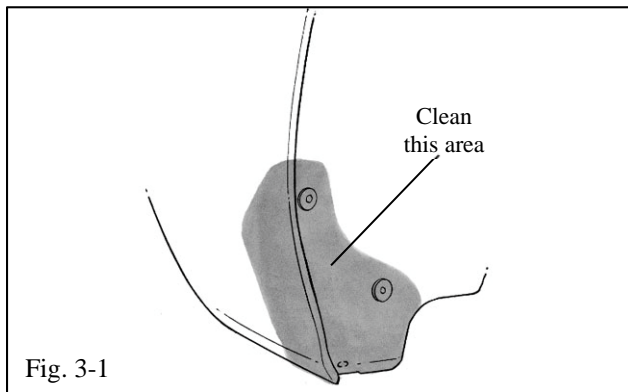
(f) Hold the part up and into the body panel and install a supplied push pin (large) into location E (Fig. 2-3).

(g) Hold the part up and into the body panel and install a supplied push pin (small) into location F (Fig. 2-3).

(h) Repeat Steps 1 and 2 on the other side of the vehicle.

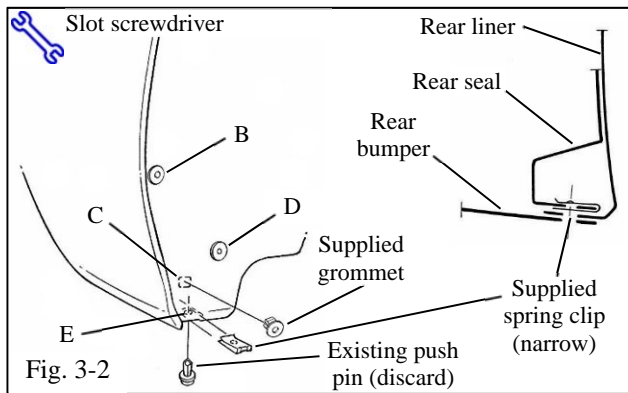
3. Prepare to Mount the Rear Mudguards.

STOP NOTE: REMOVAL AND REINSTALLATION OF THE REAR WHEELS IS REQUIRED TO DRILL THE PANEL EDGE ATTACHMENT HOLES UNLESS AN ANGLED DRILL OR 90-DEGREE DRILL ADAPTOR IS USED.

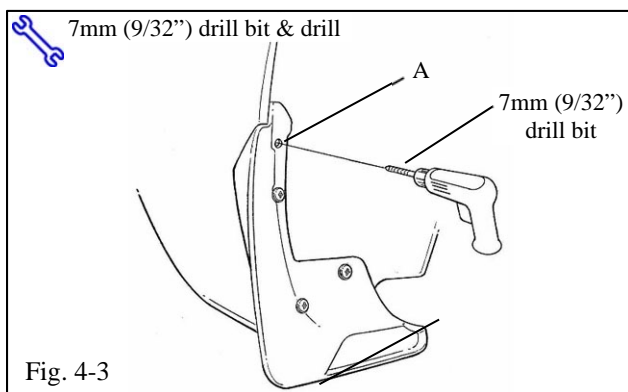
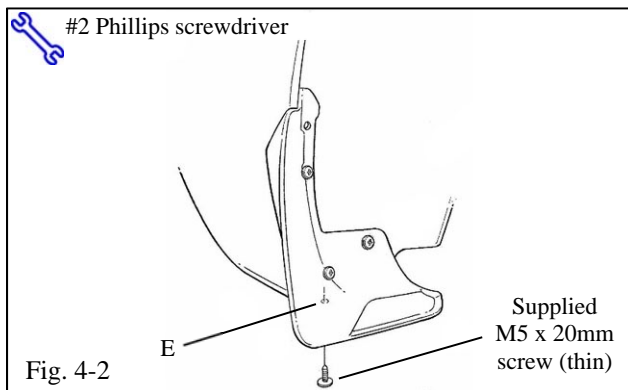
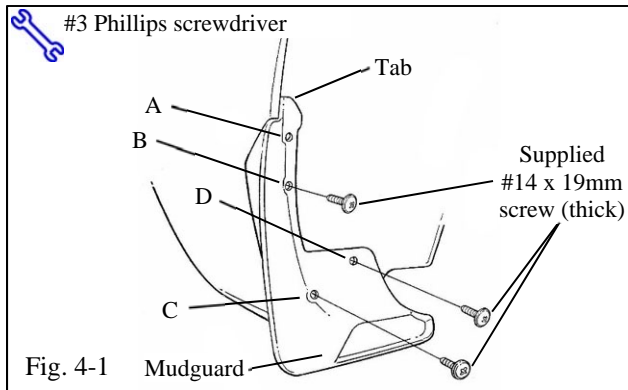


- (a) Clean and degrease the rear bumper cover on the passenger side where the mudguard will be located with a clean cloth and VDC-approved cleaner or soap/water mixture (Fig. 3-1).

+ (b) **DIO Only:** Lift the vehicle and remove the rear wheel. Refer to the Owner's Manual.



- (c) Remove and discard the existing push pin at location E (Fig. 3-2).
- (d) Pull the liner forward and install a supplied grommet into the square hole in the rear seal (location C, Fig. 3-2).
- (e) With liner forward, install a supplied spring clip (narrow) with the turned up edge on the inside of the rear seal (top piece). Center the clip on the rear seal hole in location E (Fig. 3-2).
- (f) Reposition the rear liner so that it sits between the rear bumper and the supplied spring clip installed on the rear seal (Fig. 3-2).



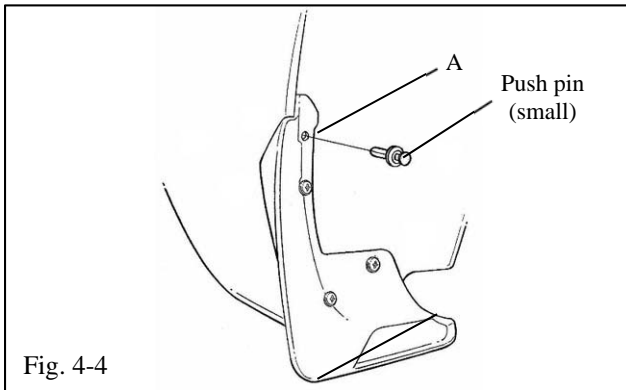
4. Install the Rear Mudguards.

- ⚠ (a) Slide the tab under the bumper flange, then push it up and into position (Fig. 4-1).
- (b) Hold the part up and into the body panel and install supplied #14 x 19mm (thick) screws in location D and B (Fig. 4-1).

⚠ **NOTE:** Make sure the tab is under the bumper flange and pushed up into position before installing the screws.

- (c) Hold the part up and into the body panel and install a supplied #14 x 19mm (thick) screw in location C, through the flexible liner and into the grommet (Fig. 4-1).
- (d) Hold the part up and into the body panel and install a supplied M5 x 20mm (thin) screw in location E (Fig. 4-2).

- ⛔ (e) Use the part as a template and drill a 7mm (9/32") hole at location A (Fig. 4-3).



- (f) Install a supplied push pin (small) in location A (Fig. 4-4).
- (g) **DIO Only:** Reinstall the rear wheel. Refer to the Owner's Manual. Torque the lug nuts to the specified value.
- (h) Repeat Steps 3 and 4 on the other side of the vehicle.

Checklist - these points **MUST** be checked to ensure a quality installation.

<u>Check:</u>	<u>Look For:</u>
<p><u>Accessory Function Checks</u></p> <ul style="list-style-type: none"><input type="checkbox"/> Gap between the mudguard and the body<input type="checkbox"/><input type="checkbox"/><input type="checkbox"/>	<p>Excessive gaps greater than 1.0 mm</p>
<p><u>Vehicle Function Checks</u></p> <ul style="list-style-type: none"><input type="checkbox"/><input type="checkbox"/><input type="checkbox"/>	
<p><u>Vehicle Appearance Check</u></p> <ul style="list-style-type: none"><input type="checkbox"/> After accessory installation and removal of protective cover(s), perform a visual inspection.	<p>Ensure no damage (including scuffs and scratches) was caused during the installation process. (For PPO installations, refer to TMS Accessory Quality Shipping Standard.)</p>